

RSH-600 Sensor

RSH-600 Series Rotary Sensor Heads are designed for demanding processes, employing very thick films and several different materials.

Sensor Configurations

The RSH-600 Series hold six crystals in a thermally shielded, water cooled housing, ensuring excellent crystal performance in temperature environments up to 300° C. Crystals are housed in an easy to remove Teflon® and stainless steel crystal holder. Crystal position is incremented pneumatically by applying a 1 second pulse to a 115 VAC/36mA or 24 VDC/29mA solenoid valve. A 7-pin connector provides individual switch closures to ground to indicate the current crystal position.

Feedthroughs

The RSH-600 Series can be configured with a flat head for top mount installation through an o-ring sealed feedthrough (not included). The 45° angle head can be configured for installation through the side of the chamber.

Standard head covers are made of stainless steel. Copper head covers are available for applications where temperature is a concern.

The RSH-600 is available in these adjustable lengths:

- in-vacuum length = up to 7.9 in. (200 mm)
- in-vacuum length = up to 13.8 in. (350 mm)
- in-vacuum length = up to 17.7 in. (450 mm)
- in-vacuum length = up to 21.3 in. (540 mm)
- in-vacuum length = up to 25.6 in. (650 mm)
- Longer lengths up to 33.9 in. (860 mm) are also available.

ADVANTAGES

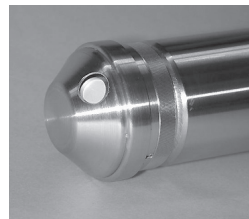
- Six crystals
- Position feedback
- Adjustable length
- Rugged design



Crystal retainer assembly and standard stainless steel cover



Copper Head Cover



45° Angle Head

ORDERING INFORMATION

Rotary Sensor Head - RSH-600 Sensor

Type of sensor

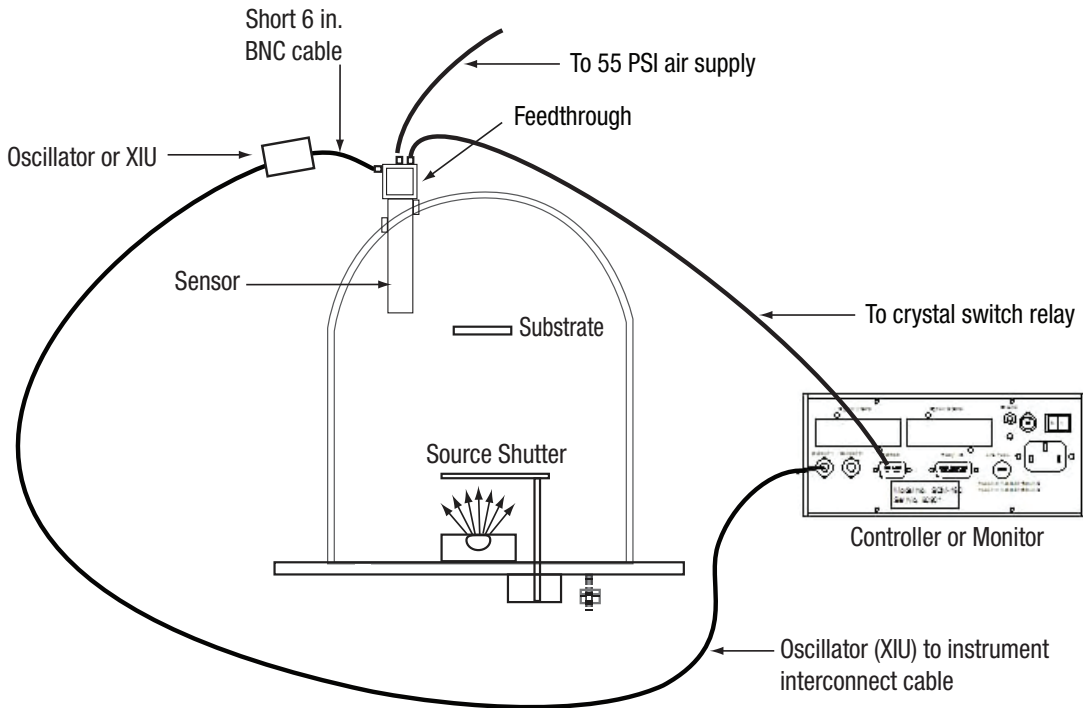
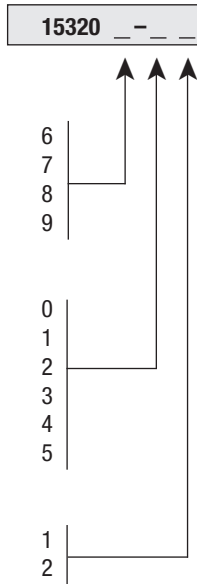
- Stainless Steel Flat Head
- Stainless Steel Angle Head
- Copper Flat Head
- Copper Angle Head.....

Length of Sensor (internal length)

- 200 mm (7.9 in.)
- 350 mm (13.8 in.)
- 450 mm (17.7 in.)
- 540 mm (21.3 in.)
- 650 mm (25.6 in.)
- Custom Length.....

Voltage

- 115 volts.....
- 24 volts.....



SPECIFICATIONS

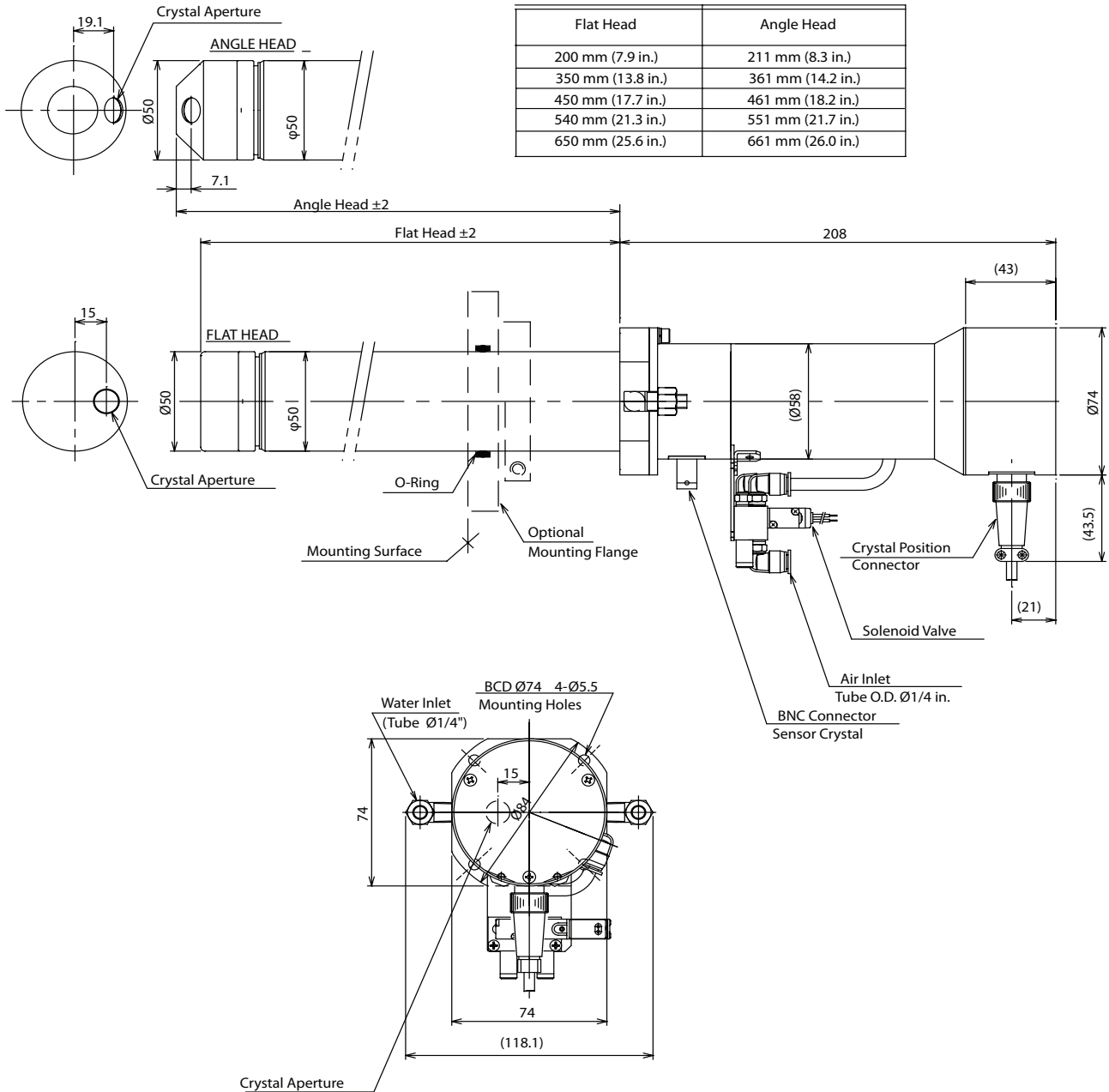
RSH600 Specifications

Number of crystals	six
Crystal size	0.550 in. diameter
Installation aperture	2.0 in. diameter
Overall length	See chart on the following page
Adjustable length in vacuum	See chart on the following page
Power requirement	115VAC/50 mA or 24VDC/20 mA
Crystal switching method	Air Actuated @ 55psi (4kg/cm ²) regulated
Cooling method	Water-cooled @ 5L/m at 2kg/cm ² (28psi) (Do not allow to freeze)
Air and water connections	One ¼ in. quick connect for air, two ¼ in. compression fittings for water
Maximum bakeout temperature without water	130° C
Operating temperature	300° C max with water cooling and Standard Head Cover 400° C max with water cooling and Copper Head Cover
Weight	RSH-600 ~ 8.5 lb. (3.8 kg), varies with overall length

SPARE PARTS LIST

P/N	Description
153202	Adjustable Flange
153204	Crystal Retainer Assembly – Flat
153204-2	Crystal Retainer Assembly – Angled
153706	Spring Retainer Assembly – Flat
153707	24VDC Solenoid Valve Assembly
153708	Head Cover – SS – Flat
153709	Retaining Screw for Flat Crystal Retainer
153710	Crystal Holder – Flat (includes 153709)
153713	Head Cover – SS – Angled
153714	Spring Retainer Assembly – Angled
153715	Retaining Screw for Angled Crystal Retainer
153716	Crystal Holder – Angled
153722	Signal and Ground Contact Module
153724	Spring Retainer Contact Kit – Flat (set of six)
153726	Spring Contact for Crystal Retainer Assembly
153731	Head Cover – CU – Flat
153731-2	Head Cover – CU – Angled
889128	7-pin Male Connector
889128-2	7-pin Female Connector
144-101	M3x6 SOC Head Screw for Flat Crystal Retainer

DIMENSIONS



DIMENSIONS IN mm EXCEPT WHEN NOTED



www.inficon.com reachus@inficon.com

Due to our continuing program of product improvements, specifications are subject to change without notice. All trademarks are the property of their respective owners..

cibe25a1 ©2009 INFICON